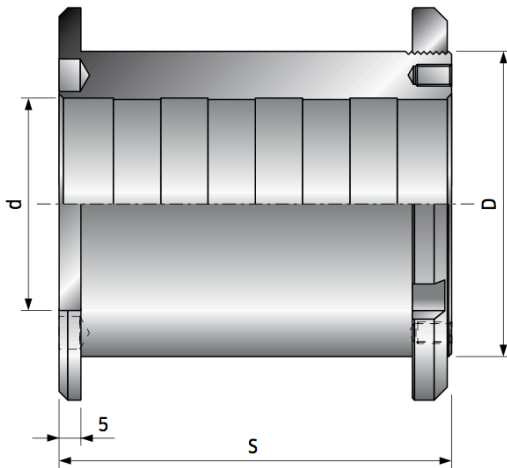


BF10MD - BF10MS

Right
Destra

Left
Sinistra

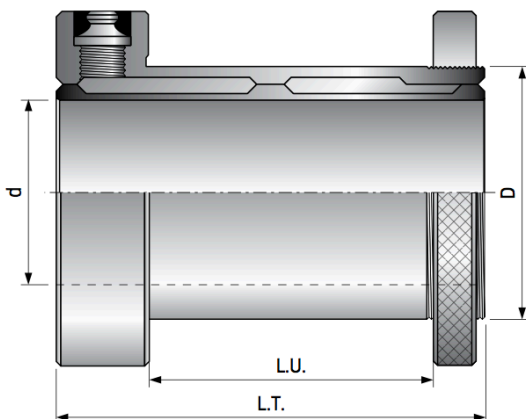


- * Item already fitted with pin holes.
- * Bussole con fori per spine.

Sleeves with locking nut Bussole di fissaggio

D mm	S mm	d mm	Right - Dx		Left - Sx	
			Code Codice	SAP SAP	Code Codice	SAP SAP
50	110	30	BF10MD AA9	F03FC00616	BF10MS AA9	F03FC00661
50	130	30	BF10MD AD9	F03FC00619	BF10MS AD9	F03FC00664
50	60	35	BF10MD AG9	F03FC00622		
50	110	35	BF10MD AB9	F03FC00617	BF10MS AB9	F03FC00662
50	130	35	BF10MD AE9	F03FC00620		
50	110	40	BF10MD AC9	F03FC00618	BF10MS AC9	F03FC00663
50	130	40	BF10MD AF9	F03FC00621	BF10MS AF9	F03FC00665
55	110	35	BF10MD BA9	F03FC00625	BF10MS BA9	F03FS07470
55	130	35	BF10MD BC9	F03FS07469	BF10MS BC9	F03FS07471
55	110	40	BF10MD BB9	F03FS07468		
55	130	40	BF10MD BD9	F03FC00626	BF10MS BD9	F03FC00668
60	85	35	BF10MD KB9	F03FC00643		
60	90	35	BF10MD DB9	F03FC00630		
60	110	35	BF10MD CB9	F03FC00627		
60	85	40	BF10MD KC9	F03FC00644		
60	90	40	BF10MD DC9	F03FC00631	BF10MS DC9	F03FC00669
60	110	40	BF10MD CC9	F03FC00628		
60	85	50	BF10MD KD9	F03FC00645		
60	90	50	BF10MD DD9	F03FC00632		
60	110	50	BF10MD CD9	F03FC00629		
70	75	30	BF10MD LA9	F03FC00646		
70	85	30			BF10MS HA9	F03FC00676
70	85	35	BF10MD HB9	F03FC00638		
70	90	35	BF10MD EB9	F03FC00633	BF10MS EB9	F03FC00671
70	75	40	BF10MD LC9	F03FC00647		
70	85	40	BF10MD HC9	F03FC00639		
70	90	40	BF10MD EC9	F03FC00634	BF10MS EC9	F03FC00672
*	70	40	BF10MD QD9	F03FC00653	BF10MS QD9	F03FC00685
*	70	45	BF10MD PD9	F03FC00652	BF10MS PD9	F03FC00684
*	70	50	BF10MD OD9	F03FC00651	BF10MS OD9	F03FC00683
*	70	55	BF10MD ND9	F03FC00650	BF10MS ND9	F03FC00682
*	70	60	BF10MD MD9	F03FC00649	BF10MS MD9	F03FC00681
*	70	65	BF10MD ID9	F03FC00641	BF10MS ID9	F03FC00679
*	70	70	BF10MD GD9	F03FC00637	BF10MS GD9	F03FC00675
*	70	75	BF10MD LD9	F03FC00648	BF10MS LD9	F03FC00680
*	70	80	BF10MD FD9	F03FC00636	BF10MS FD9	F03FC00674
*	70	85	BF10MD HD9	F03FC00640	BF10MS HD9	F03FC00678
*	70	90	BF10MD ED9	F03FC00635	BF10MS ED9	F03FC00673

BS05M



Standard hydraulic clamping sleeves Bussole di fissaggio ad espansione idraulica

D mm	LU. mm	d mm	L.T. mm	Code Codice	SAP SAP
60	80	40	115	BS05M CDE	F03FA00132
60	105	40	140	BS05M CFE	F03FA00134
60	130	40	165	BS05M CGE	F03FA00136
60	80	50	115	BS05M CDI	F03FA00133
60	105	50	140	BS05M CFI	F03FA00135
60	155	50	190	BS05M CII	F03FA00137
60	195	50	230	BS05M CMI	F03FA00138