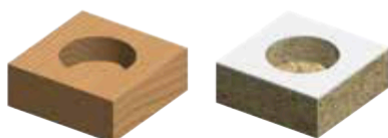
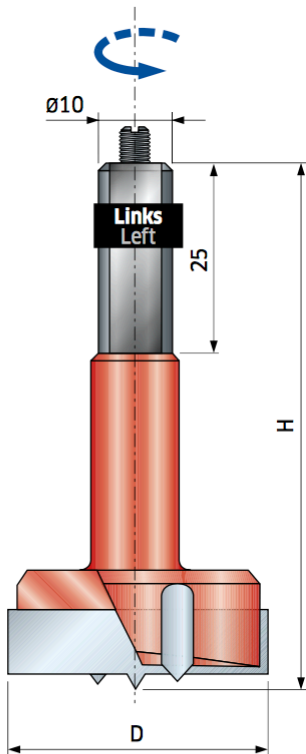
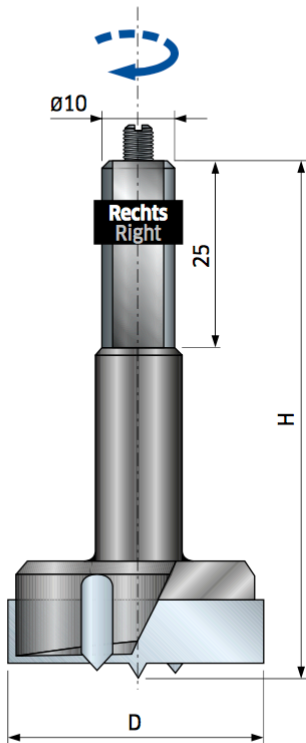


PC05MD - PC05MS

Rechts
Right

Links
Left



Hardmetalen cilinderkopboren Carbide boring bits for hinges

Gebruik op multiboormachines met boorhouders of adapters voor het maken van scharniergaten of blinde gaten in massief hout of laminaten.

HW met centreerpunt en M5x10 mm afstelschroef.


Cilindrische schacht met klemoppervlak $\varnothing 10 \times 25$ mm.

Fit on multiboring machines with the use of chucks or adapters for obtaining hinge pockets or blind holes on solid wood or laminates.

HW with center point and M5x10 mm adjusting screw.

Cylindrical shank with clamping surface $\varnothing 10 \times 25$ mm.

| D mm | H mm | A mm | Z | Max. opm Max RPM | Code Code | SAP SAP |
|---------|---------|---------|-----|---------------------|--------------|------------|
| 12 | 70 | 10x25 | 2+2 | | PC05MD 123 | F03FA01809 |
| 14 | 70 | 10x25 | 2+2 | | PC05MD 143 | F03FA01810 |
| 15 | 70 | 10x25 | 2+2 | | PC05MD 153 | F03FA01811 |
| 16 | 70 | 10x25 | 2+2 | | PC05MD 163 | F03FA01812 |
| 18 | 70 | 10x25 | 2+2 | | PC05MD 183 | F03FA01813 |
| 20 | 70 | 10x25 | 2+2 | | PC05MD 203 | F03FA01814 |
| 22 | 70 | 10x25 | 2+2 | | PC05MD 223 | F03FA01815 |
| 25 | 70 | 10x25 | 2+2 | | PC05MD 253 | F03FA01816 |
| 26 | 70 | 10x25 | 2+2 | | PC05MD 263 | F03FA01817 |
| 30 | 70 | 10x25 | 2+2 | | PC05MD 303 | F03FA01818 |
| 35 | 70 | 10x25 | 2+2 | | PC05MD 353 | F03FA01819 |
| 38 | 70 | 10x25 | 2+2 | | PC05MD 383 | F03FA01820 |
| 40 | 70 | 10x25 | 2+2 | | PC05MD 403 | F03FA01821 |
| 12 | 70 | 10x25 | 2+2 | | PC05MS 123 | F03FA01822 |
| 14 | 70 | 10x25 | 2+2 | | PC05MS 143 | F03FA01823 |
| 15 | 70 | 10x25 | 2+2 | | PC05MS 153 | F03FA01824 |
| 16 | 70 | 10x25 | 2+2 | | PC05MS 163 | F03FA01825 |
| 18 | 70 | 10x25 | 2+2 | | PC05MS 183 | F03FA01826 |
| 20 | 70 | 10x25 | 2+2 | | PC05MS 203 | F03FA01827 |
| 22 | 70 | 10x25 | 2+2 | | PC05MS 223 | F03FA01828 |
| 25 | 70 | 10x25 | 2+2 | | PC05MS 253 | F03FA01829 |
| 26 | 70 | 10x25 | 2+2 | | PC05MS 263 | F03FA01830 |
| 30 | 70 | 10x25 | 2+2 | | PC05MS 303 | F03FA01831 |
| 35 | 70 | 10x25 | 2+2 | | PC05MS 353 | F03FA01832 |
| 38 | 70 | 10x25 | 2+2 | | PC05MS 383 | F03FA01833 |
| 40 | 70 | 10x25 | 2+2 | | PC05MS 403 | F03FA01834 |

| Vervangingsonderdelen Spare parts | Afmetingen Dimensions mm | Code Code | SAP SAP |
|-----------------------------------------------------------------------------------------------------|--------------------------------|--------------|------------|
|  Schroef / Screw | M5x10 | 2602M DC9 | F03FA07350 |